

1. DESIGN CRITERIA

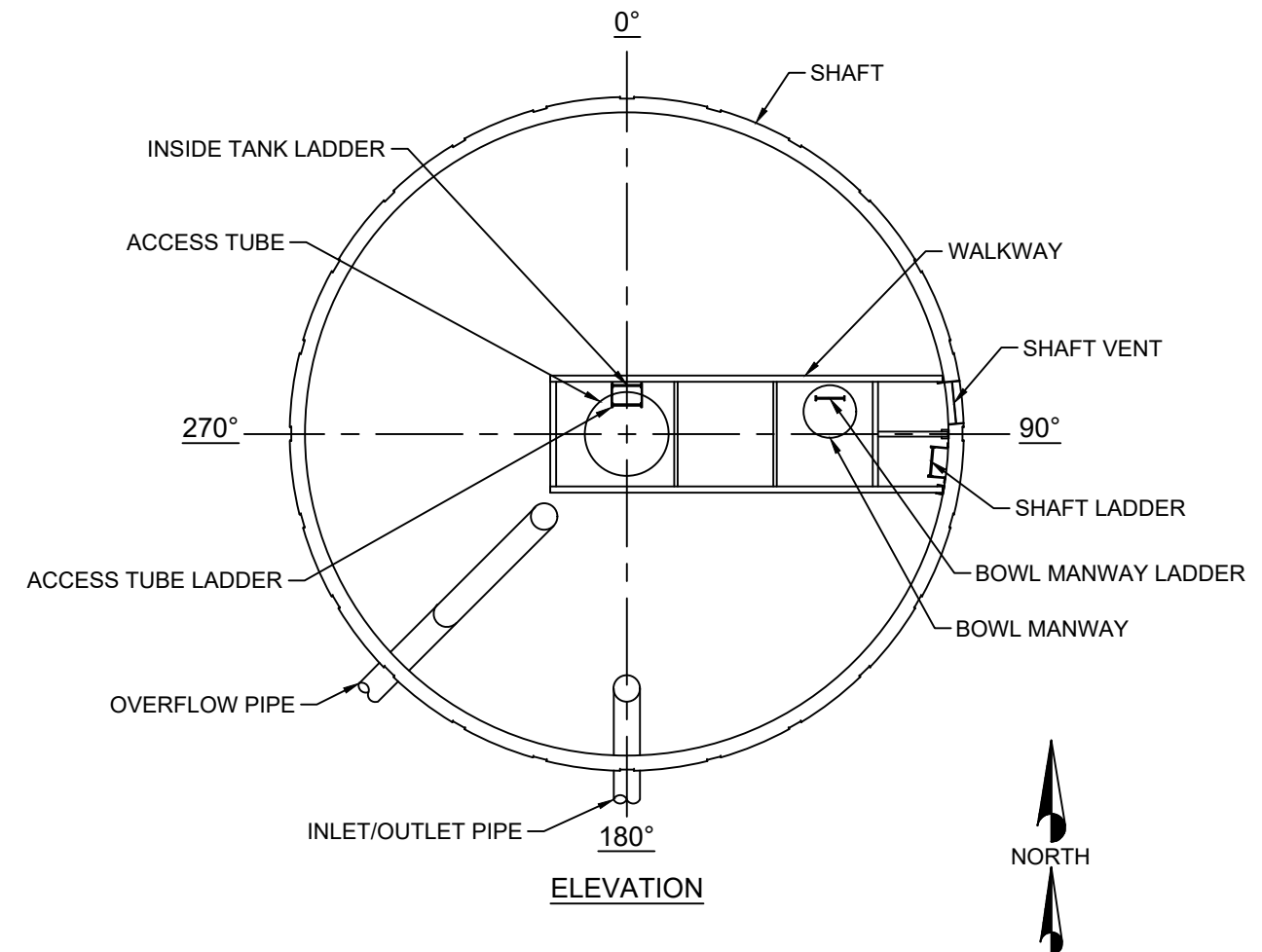
- 1.A. THE TANK AND SUPPORT STRUCTURE SHALL BE DESIGNED, FABRICATED, AND ERECTED IN ACCORDANCE WITH AWWA D107-10 AND THE PROJECT SPECIFICATIONS.
- 1.B. LOADING CRITERIA:
  - 1.B.A. DESIGN WIND VELOCITY - \_\_\_\_\_ MPH
  - 1.B.B. DESIGN SNOW LOAD - \_\_\_\_\_ PSF
  - 1.B.C. MCE SPECTRAL RESPONSE ACCELERATION - 0.2 - SEC PERIOD ( $S_3$ ) - \_\_\_\_\_
  - 1.B.D. MCE SPECTRAL RESPONSE ACCELERATION - 1.0 - SEC PERIOD ( $S_1$ ) - \_\_\_\_\_

2. MATERIALS

- 2.A. STEEL PLATE: ASTM A283 OR ASTM A36
- 2.B. STRUCTURAL SHAPES: ASTM A36
- 2.C. LADDER RUNGS: ASTM A706

3. GENERAL

- 3.A. ALL ACCESSORIES SHOWN ON THE ELEVATION DRAWING ARE ROTATED FOR CLARITY.
- 3.B. ALL LADDERS, LADDER SAFETY DEVICES, PLATFORMS, HANDRAILS, ETC. SHALL CONFORM TO CURRENT OSHA REGULATIONS.
- 3.C. SURFACE PREPARATION AND COATING REQUIREMENTS SHALL BE IN ACCORDANCE WITH THE PROJECT SPECIFICATIONS.
- 3.D. THE TANK SHALL BE DISINFECTED IN ACCORDANCE WITH AWWA C652-02.



3,000,000 GALLON ELEVATED COMPOSITE TANK	GENERAL ELEVATION	ENGINEER	CHECKED BY	DATE	DRAWN BY	REVISED BY	DATE	DESCRIPTION	REVISION
Copyright © 2017 by Phoenix Fabricators & Erectors, LLC. All rights reserved.									
JOB. No. _____									
SHEET _____									