

1. DESIGN CRITERIA

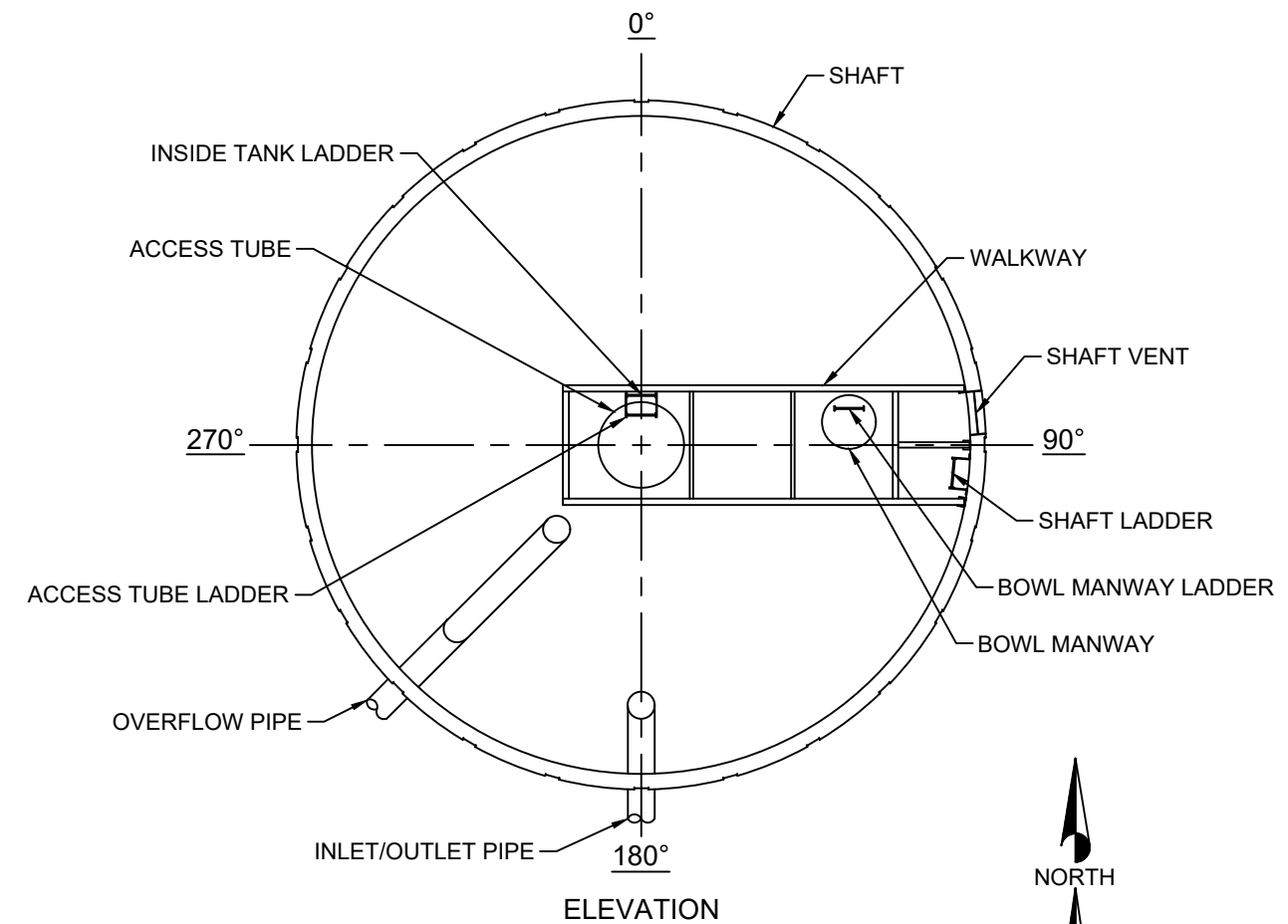
- 1.A. THE TANK AND SUPPORT STRUCTURE SHALL BE DESIGNED, FABRICATED, AND ERECTED IN ACCORDANCE WITH AWWA D107-10 AND THE PROJECT SPECIFICATIONS.
- 1.B. LOADING CRITERIA:
 - 1.B.A. DESIGN WIND VELOCITY - _____ MPH
 - 1.B.B. DESIGN SNOW LOAD - _____ PSF
 - 1.B.C. MCE SPECTRAL RESPONSE ACCELERATION - 0.2 - SEC PERIOD (S_s) - _____
 - 1.B.D. MCE SPECTRAL RESPONSE ACCELERATION - 1.0 - SEC PERIOD (S_1) - _____

2. MATERIALS

- 2.A. STEEL PLATE: ASTM A283 OR ASTM A36
- 2.B. STRUCTURAL SHAPES: ASTM A36
- 2.C. LADDER RUNGS: ASTM A706

3. GENERAL

- 3.A. ALL ACCESSORIES SHOWN ON THE ELEVATION DRAWING ARE ROTATED FOR CLARITY.
- 3.B. ALL LADDERS, LADDER SAFETY DEVICES, PLATFORMS, HANDRAILS, ETC. SHALL CONFORM TO CURRENT OSHA REGULATIONS.
- 3.C. SURFACE PREPARATION AND COATING REQUIREMENTS SHALL BE IN ACCORDANCE WITH THE PROJECT SPECIFICATIONS.
- 3.D. THE TANK SHALL BE DISINFECTED IN ACCORDANCE WITH AWWA C652-02.



1,250,000 GALLON ELEVATED COMPOSITE TANK	GENERAL ELEVATION								
ENGINEER:	DRAWN BY:	CHECKED BY:	DATE:	REVISION	DESCRIPTION	DATE	BY	REVISION	DESCRIPTION
				A				B	
Copyright © 2017 by Phoenix Fabricators & Erectors, LLC. All rights reserved.									
Avon, Indiana - Sebree, Kentucky									
FABRICATORS AND ERECTORS, LLC									
PHOENIX									
FABRICATORS AND ERECTORS, LLC									
Avon, Indiana - Sebree, Kentucky									
ENGINEER:									
DRAWN BY:									
CHECKED BY:									
DATE:									
REVISION									
DESCRIPTION									
DATE									
BY									
REVISION									
DESCRIPTION									
DATE									
BY									
REVISION									
DESCRIPTION									
DATE									
BY									
REVISION									
DESCRIPTION									
DATE									
BY									
REVISION									
DESCRIPTION									
DATE									
BY									
REVISION									
DESCRIPTION									
DATE									
BY									
REVISION									
DESCRIPTION									
DATE									
BY									
REVISION									
DESCRIPTION									
DATE									
BY									
REVISION									
DESCRIPTION									
DATE									
BY									
REVISION									
DESCRIPTION									
DATE									
BY									
REVISION									
DESCRIPTION									
DATE									
BY									
REVISION									
DESCRIPTION									
DATE									
BY									
REVISION									
DESCRIPTION									
DATE									
BY									
REVISION									
DESCRIPTION									
DATE									
BY									
REVISION									
DESCRIPTION									
DATE									
BY									
REVISION									
DESCRIPTION									
DATE									
BY									
REVISION									
DESCRIPTION									
DATE									
BY									
REVISION									
DESCRIPTION									
DATE									
BY									
REVISION									
DESCRIPTION									
DATE									
BY									
REVISION									
DESCRIPTION									
DATE									
BY									
REVISION									
DESCRIPTION									
DATE									
BY									
REVISION									
DESCRIPTION									
DATE									
BY									
REVISION									
DESCRIPTION									
DATE									
BY									
REVISION									
DESCRIPTION									
DATE									
BY									
REVISION									
DESCRIPTION									
DATE									
BY									
REVISION									
DESCRIPTION									
DATE									
BY									
REVISION									
DESCRIPTION									
DATE									
BY									
REVISION									
DESCRIPTION									
DATE									
BY									
REVISION									
DESCRIPTION									
DATE									
BY									
REVISION									
DESCRIPTION									
DATE									
BY									
REVISION									
DESCRIPTION									
DATE									
BY									
REVISION									
DESCRIPTION									
DATE									
BY									
REVISION									
DESCRIPTION									
DATE									
BY									
REVISION									
DESCRIPTION									
DATE									
BY									
REVISION									
DESCRIPTION									
DATE									
BY									
REVISION									
DESCRIPTION									
DATE									
BY									
REVISION									
DESCRIPTION									
DATE									
BY									
REVISION									
DESCRIPTION									
DATE									
BY									
REVISION									
DESCRIPTION									
DATE									
BY									
REVISION									
DESCRIPTION									
DATE									
BY									
REVISION									
DESCRIPTION									
DATE									
BY									
REVISION									
DESCRIPTION									
DATE									
BY									
REVISION									
DESCRIPTION									
DATE									
BY									
REVISION									
DESCRIPTION									
DATE									
BY									
REVISION									
DESCRIPTION									
DATE									
BY									
REVISION									
DESCRIPTION									
DATE									
BY									
REVISION									
DESCRIPTION									
DATE									
BY									
REVISION									
DESCRIPTION									
DATE									
BY									
REVISION									
DESCRIPTION									
DATE									
BY									
REVISION									
DESCRIPTION									
DATE									
BY									
REVISION									
DESCRIPTION									
DATE									
BY									
REVISION									
DESCRIPTION									
DATE									
BY									
REVISION									
DESCRIPTION									
DATE									
BY									
REVISION									
DESCRIPTION									
DATE									
BY									
REVISION									
DESCRIPTION									
DATE									
BY									
REVISION									
DESCRIPTION									
DATE									
BY									
REVISION									
DESCRIPTION									
DATE									
BY									
REVISION									
DESCRIPTION									
DATE									
BY									
REVISION									
DESCRIPTION									
DATE									
BY									
REVISION									
DESCRIPTION									
DATE									
BY									
REVISION									
DESCRIPTION									
DATE									
BY									
REVISION									
DESCRIPTION									
DATE									
BY									
REVISION									
DESCRIPTION									
DATE									
BY									
REVISION									
DESCRIPTION									
DATE									
BY									
REVISION									
DESCRIPTION									
DATE									
BY									
REVISION									
DESCRIPTION									
DATE									
BY									
REVISION									
DESCRIPTION									
DATE									
BY									
REVISION									
DESCRIPTION									
DATE									
BY									
REVISION									
DESCRIPTION									
DATE									
BY									
REVISION									
DESCRIPTION									
DATE									
BY									
REVISION									
DESCRIPTION									
DATE									
BY									
REVISION									
DESCRIPTION									
DATE									
BY									
REVISION									
DESCRIPTION									
DATE									
BY									
REVISION									
DESCRIPTION									
DATE									
BY									
REVISION									
DESCRIPTION									
DATE									
BY									
REVISION									
DESCRIPTION									
DATE									
BY									
REVISION									
DESCRIPTION									
DATE									
BY									
REVISION									
DESCRIPTION									
DATE									
BY									
REVISION									
DESCRIPTION									
DATE									
BY									
REVISION									
DESCRIPTION									
DATE									
BY									
REVISION									
DESCRIPTION									
DATE									
BY									
REVISION									
DESCRIPTION									
DATE									
BY									
REVISION									
DESCRIPTION									
DATE									
BY									
REVISION									
DESCRIPTION									
DATE									
BY									
REVISION									
DESCRIPTION									
DATE									
BY									
REVISION									
DESCRIPTION									
DATE									
BY									
REVISION									